

P-S LARGE THROUGH HOLE SUPER THIN HOLLOW ROTARY HYDRAULIC CYLINDER

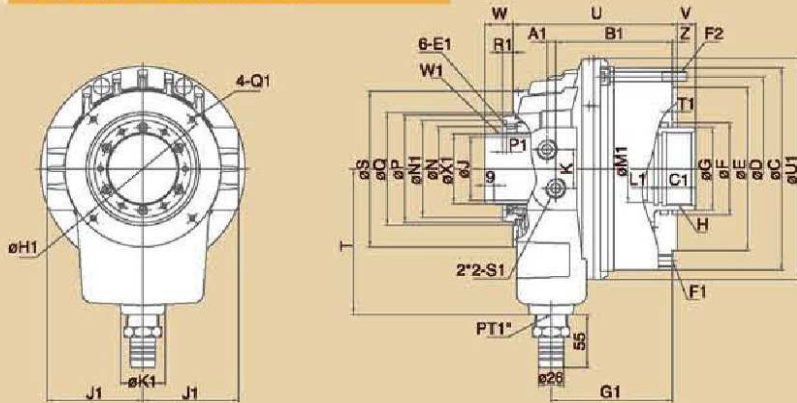
大孔徑超薄 中空油壓迴轉缸

新產品
NEW



- 1. 超薄型、重量輕：**超薄外型構造，重量比傳統迴轉缸輕，形體結構小型化，在高速迴轉時，可減輕機械負擔。
- 2. 大的貫通孔徑：**大孔徑設計使加工物之貫通孔徑的範圍增加。
- 3. 安全構造：**內藏止回閥設計，於突發之壓降時仍可保持推力。

尺寸圖 > Dimensions



- 1. Super thin & Lightweight:**
Super thin outer structure makes the weight lighter than the traditional rotary cylinders; meanwhile, the compactness and miniaturization lower the burden of machines.
- 2. Large Thru-hole Diameter:**
With large open center, gripping range of Bar stock can be increased.
- 3. Built-in Check Valve:**
With built-in "check valve", work pieces can be effectively prevented from flying out during abrupt failure of pressure.

規格表 > Specifications

單位/UNIT:mm

型式/規格 MODEL /SPEC.	A1	B1	C	C1	D	E	E1	F	F1	F2	G	G1	H	H1				
P1452S	9	109.2	180	30	165	140	M6x1P	85	12-M10x1.5P	6-M8x1.25P	70	113.9	M60x2P	120				
P1666S	9	120.7	209	35	190	168	M6x1P	95	12-M12x1.75P	6-M10x1.5P	85	125.4	M75x2P	145				
P1881S	10.7	133.7	222	35	205	168	M6x1P	110	12-M12x1.75P	6-M10x1.5P	100	139.2	M90x2P	166				
型式/規格 MODEL /SPEC.	J	J1	K	K1	L1	M1	N	N1	P	P1	Q	Q1	R1	S	S1	T	T1	U
P1452S	52	83	40	46	15	55	73	85	96	4	102	M6x1P	10.5	137	PT 1/2	130	4	155.7
P1666S	66	99	40	46	15	70	88	100	111	4	117	M6x1P	10.5	161	PT 1/2	150	5	170.2
P1881S	81	107.5	40	46	15	85	103	113	126	4	132	M6x1P	10.5	176	PT 1/2	175	5	189.2
型式/規格 MODEL /SPEC.	U1	V max.	V min.	W max.	W1	W min.	X1	Z	活塞行程 Piston Stroke (mm)	最高迴轉速 Max. Speed r.p.m.(min ⁻¹)	活塞直徑 Piston Dia (mm)							
P1452S	201	17	-3	48.2	M58x1.5P	28.2	55.8	5	20	6500	145							
P1666S	229	19	-3	50.2	M74x1.5P	28.2	71.8	5	22	5600	165							
P1881S	244	21.1	-3.9	53.2	M89x2P	28.2	85.8	5	25	4800	180							
型式/規格 MODEL /SPEC.	GD ² (kg.m ²)	流量 Oil Leakage Rate (l/min)	最高使用壓力 Max. Pressure kgf/cm ² (Mpa)	活塞面積 Piston Area (cm ²)		最大推(拉)力 Max. Operating Force		淨重 Weight (kg)										
				推力側 Push Side	拉力側 Pull Side	推力側 Push Side kgf (KN)	拉力側 Pull Side kgf (KN)											
P1452S	0.035	3.9	40	(3.9)	137	126	4860	(47.6)	4464	(43.7)	12.3							
P1666S	0.07	4	40	(3.9)	170	157	6048	(59.3)	5580	(54.7)	17.4							
P1881S	0.09	4.3	40	(3.9)	191	175	6804	(66.7)	6264	(61.4)	21.9							